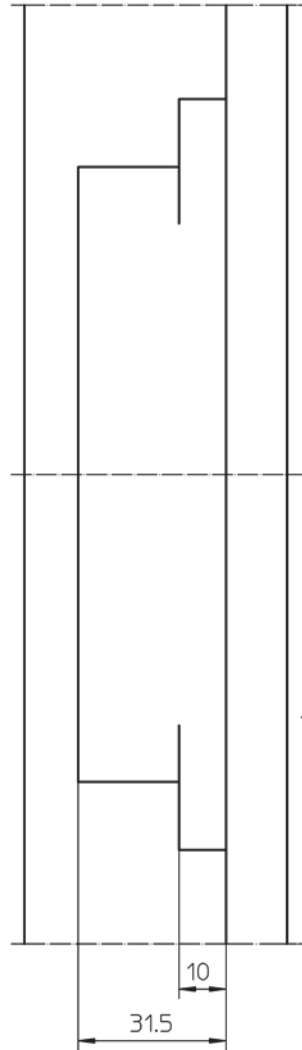
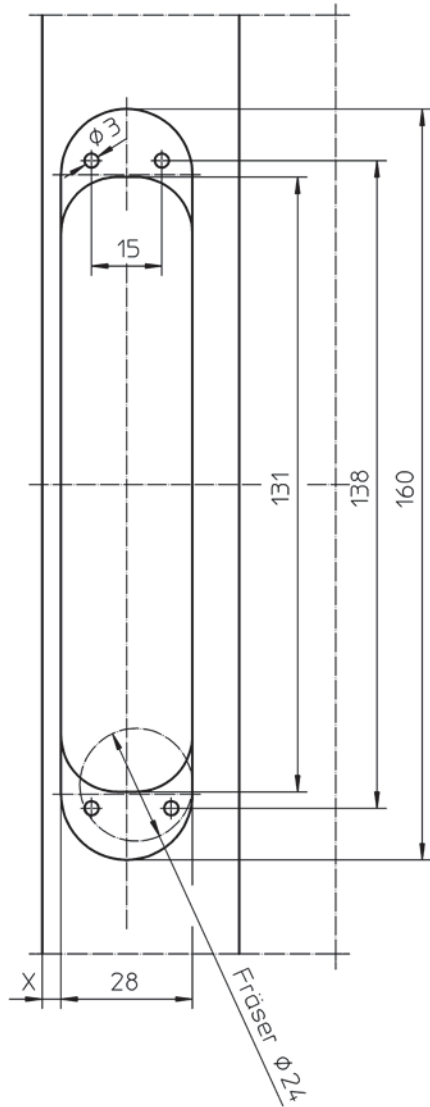
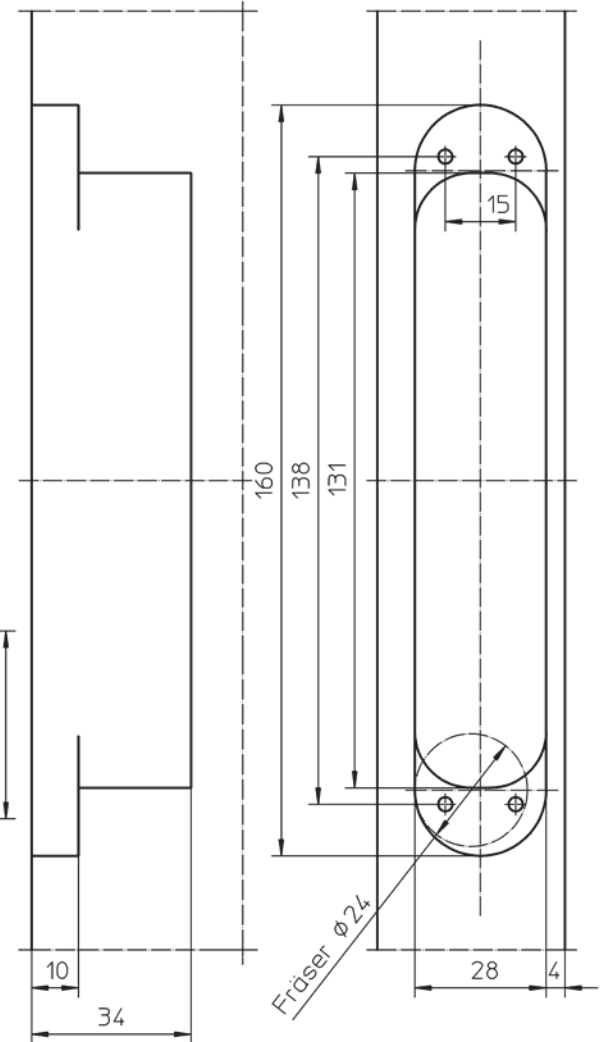
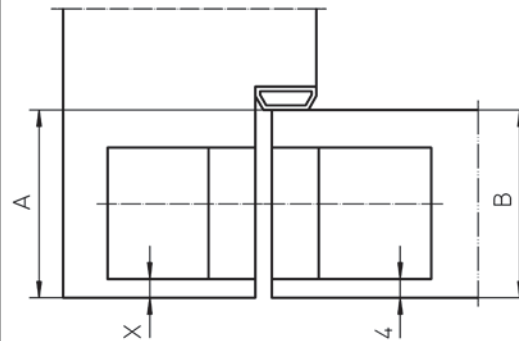


TECTUS 340 3D : BLOCK FRAME



MILLING : FRAME

A = Depth of frame rebate up to sealing
 B = Thickness of door leaf resp. 1st door rebate
 $A - B + 4 = \text{Measure X}$
 The result has to be a measure between 4,0 mm and max. 7,0 mm. (Steel frame: X = 5 mm)



MILLING : DOOR LEAF

Use a 1/2" router bit with a 5/8" template guide for the Templaco Router Template



Hinge placement for the Tectus concealed hinge:

The following statement is from the manufacturer of the hinge and is not an endorsement from the Templaco Tool Co. We are using their statement to provide a single pocket or a two pocket router template to install Tectus hinges per their specifications.

Copied from the Tectus website



Tectus® is the most versatile concealed hinge system available anywhere. Because these German-engineered hinges are easily adjusted in 3-DIMENSIONS, premium flush doors can be installed and maintained absolutely, perfectly flush, with no more costly call-backs. Tectus® hinges offer capacities for doors from 88lbs to 440lbs with **two hinges installed**.

Tectus installation instructions recommend that the distance from the top of the door to the center of the top hinge be 10" and that the distance from the bottom of the door to the center of the bottom hinge be the same dimension, 10". If adding a third hinge, they want the center of the second hinge, to be 14" from the center of the top hinge. If you are installing only two hinges on your doors you can use a single pocket template and make all of your own hinge spacing or get a two pocket full length template. If you will be installing three hinges you should purchase our four pocket template with the pockets centered at 10" & 14" on a single full length carrier. You would only use three of the four pockets per door or jamb, always using the top two and the bottom pocket. An example is shown below.

