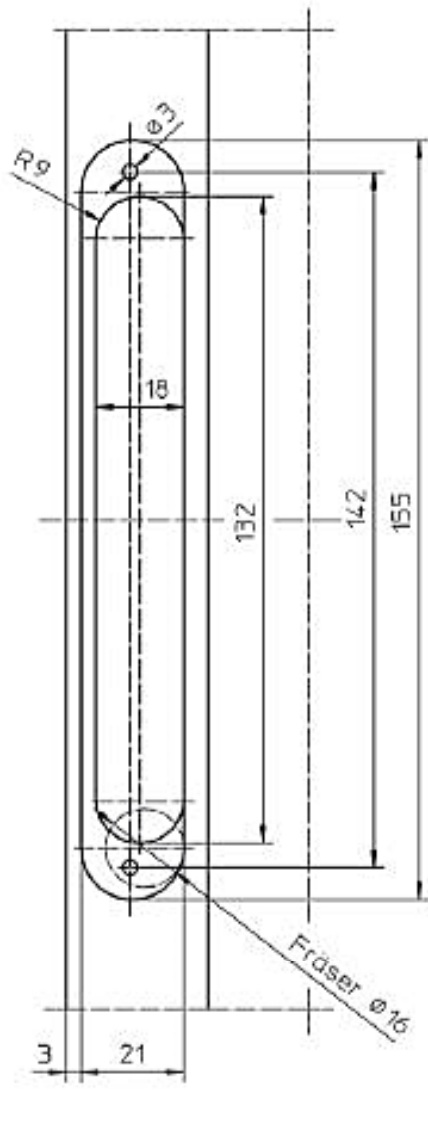
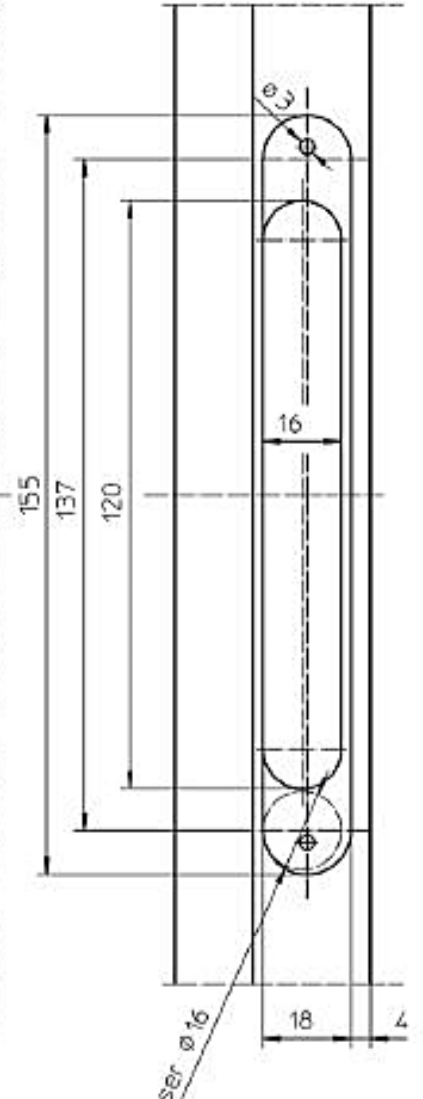
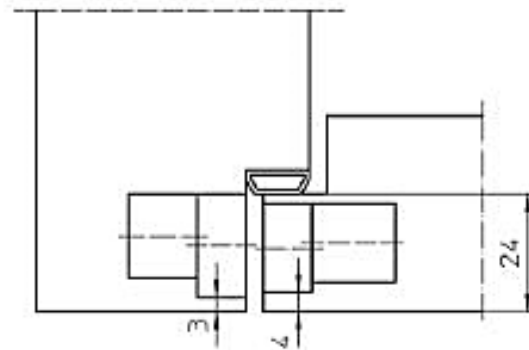


TECTUS 240 3D : BLOCK FRAME



MILLING : FRAME

Dimensions shown are mortise dimensions. There are two templates used to create these mortises, one for the Frame (jamb) and one for the Door. These two templates are sold as a set, our stock number: (Tectus 240, Template Set)



MILLING : DOOR LEAF

These templates use a 1/2" router bit with a 5/8" template guide on your router.