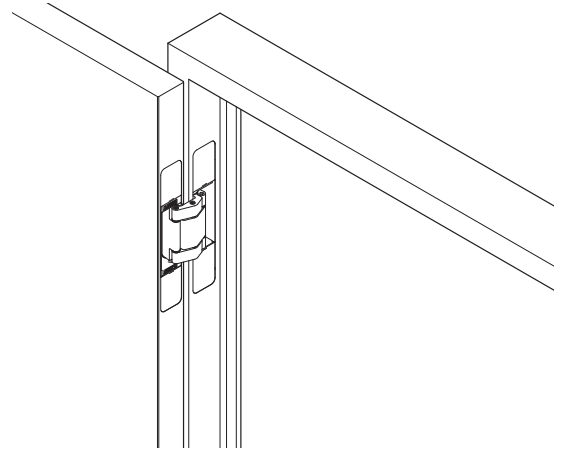


**LAMP****HES INSTALLATION MANUAL  
FOR HES3D-E160 CONCEALED HINGE**

Thank you for selecting our product. Before starting installation, please read this manual thoroughly to ensure correct installation. Please keep this manual at hand for future reference.

**ABOUT THE PRODUCT**

- This product is a concealed hinge for indoor use, that is recessed into the cut out on door and doorjamb.
- Three dimensional adjustment function allows vertical, horizontal, and depth adjustment.

**DOOR SPECIFICATION**

Min. Door thickness	36 mm
Max. Door weight	55 kg per 2 hinges, 70 kg per 3 hinges
Max. Door size	Width: 900 mm, Height: 2400 mm

**COMPONENT PARTS (PER BOX)**

• Concealed hinge	2 pcs
• Screw cover	4 pcs x 2 bags
• Template	1 pc
• Countersunk head tapping screw 5×25	8 pcs x 2 bags
• Hex Key 4mm	1 pc

**FOR YOUR SAFE WORK AND CORRECT INSTALLATION****Meaning of symbols**

<b>Warning Caution</b>	<b>Prohibited</b>	<b>Required</b>
------------------------	-------------------	-----------------

**Caution: If not followed, injury or damage may result.**

- ❗ It is necessary to manufacture the frame with sufficient strength so that it endures the weight of the door and any impact upon opening/closing the door. Only use designated screws and ensure that they are fastened firmly. A frame with poor strength or loose screws might result in the door falling and causing injury.
- ⊘ Do not try to use this product for anything other than its original purpose. Do not use any part for applications outside of its specification.
- ⊘ Use in conjunction with a door closer is not recommended. For soft-close option, we recommend Sugatsune LDD-V or LDD-S door damper.
- ❗ Make sure to follow the designated dimensions, specifications, and horizontal/vertical angles. Make sure that the frame is not warped, since it may affect the movement of the door.
- ❗ This product is a part for architectural fittings. After installation, make sure to test the finished product thoroughly to ensure that it is well-functioning and safe. Please inform the end user about general precautions and safety to prevent improper use.
- ❗ Make sure to check the screws for slack at regular intervals (one month from first usage, half a year, and then one time every year is recommended).

**INSTALLATION DRAWING (EXAMPLE)****CUT OUT DRAWING FOR DOOR AND DOORJAMB**