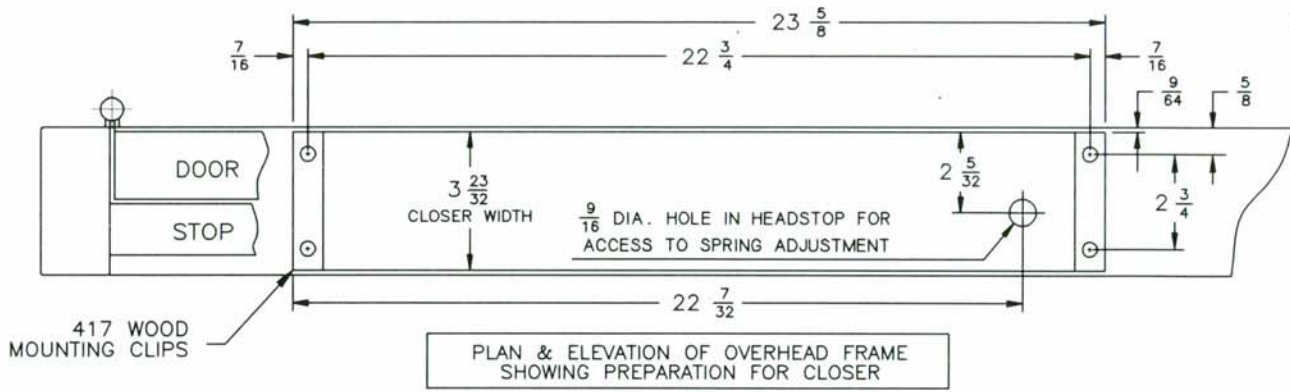


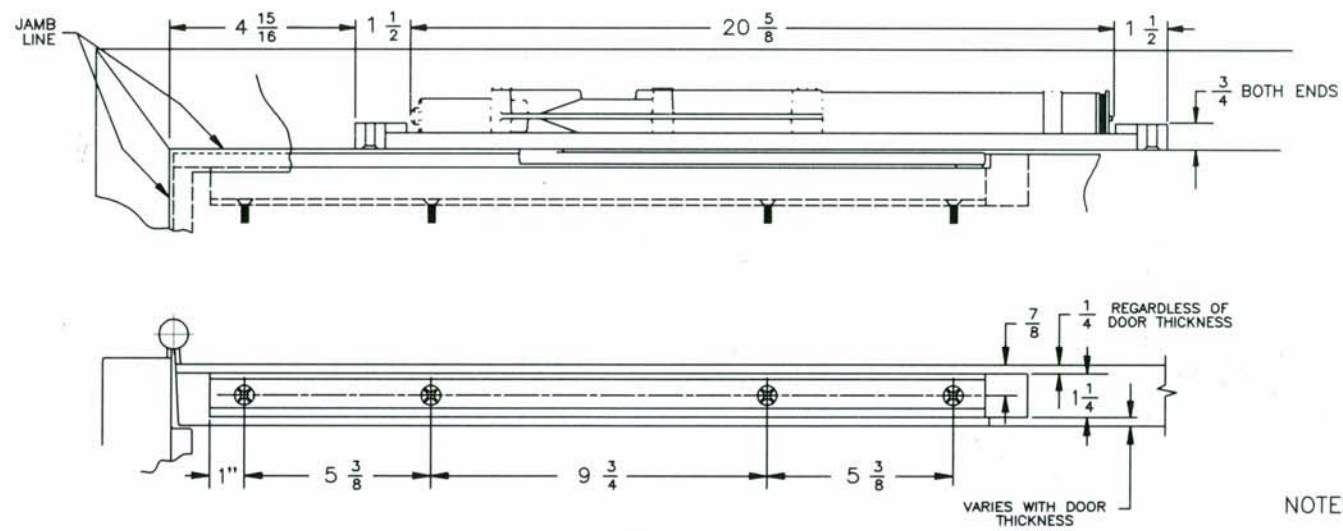
ST-2266

2031 } NON HOLD OPEN (90°-180°)
 2032 } H 90 (85°-110°)
 2033 }
 2034 } MAX. OPENING 180°
 2035 }
 AUXILIARY STOP RECOMMENDED
 LEFT HAND DOOR AND CLOSER
 SHOWN, RIGHT HAND OPPOSITE

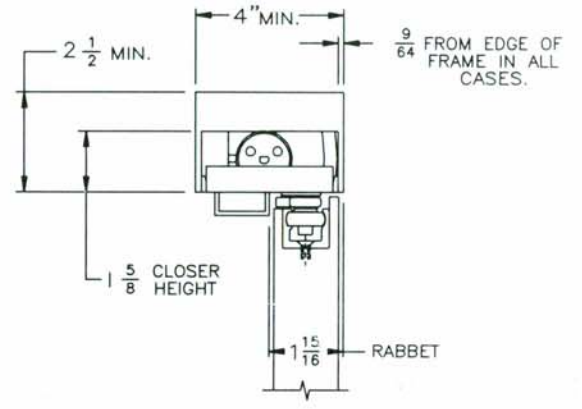
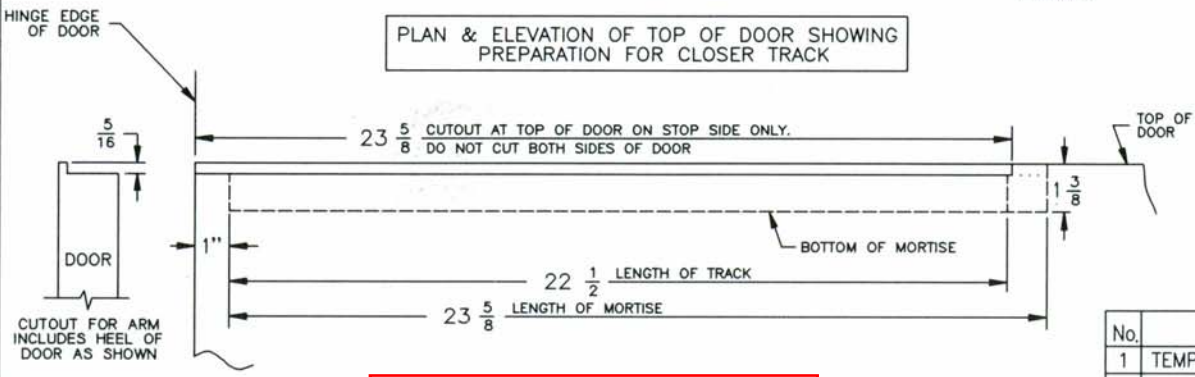
AN ALUMINUM COMBINATION MOUNTING AND FINISH PLATE IS INCLUDED AS PART OF THE CLOSER. AN APPLIED REMOVABLE HEADSTOP MUST BE USED AND MOUNTED BETWEEN SIDE STOPS FOR REMOVABILITY. MOUNTING SCREW HOLES FOR REMOVABLE HEADSTOP MUST SPAN CLOSER MOUNTING/FINISH PLATE



PLAN & ELEVATION OF OVERHEAD FRAME SHOWING PREPARATION FOR CLOSER



PLAN & ELEVATION OF TOP OF DOOR SHOWING PREPARATION FOR CLOSER TRACK



NOTES-

1. FOR 180° OPENINGS, MAX. ALLOWABLE BUTT SIZE IS 5" x 5".
2. MINIMUM STOP THICKNESS 1/2".
3. 1/8" DOOR TO SOFFIT CLEARANCE REQUIRED.
4. FOR USE WITH 417 WOOD CLIPS IN WOOD FRAME.

Use Templaco router template set Model LCN2030W

No.	REVISION	BY	DATE	INGERSOLL-RAND ARCHITECTURAL HARDWARE	LCN	DO NOT SCALE
1	TEMPLATE UPDATE	TAA	7/97	OVERHEAD CONCEALED CLOSER WITH 417 WOOD MOUNTING CLIPS		
2030 X ST-2266						