

LAMP.
HES **INSTALLATION MANUAL**
FOR HES3D-120 CONCEALED HINGE
(3-DIMENSIONAL ADJUSTABLE HINGE)

⚠ WARNINGS

- For indoor use only. Not suitable for areas where it can be in direct contact with water.
- Use in conjunction with a door closer is not recommended. For soft-close option, we recommend the used of Sugatsune LDD-V or LDD-S door damper.

Read all instructions carefully for proper use.

COMPONENT PARTS

- CONCEALED HINGE 2 pcs
- Flat Head Screw (5×20) 4 pcs×2
- Hex Key (Key size 3) 1 pc
- Template 1 pc
- INSTALLATION MANUAL

ITEM NO. / FINISH

ITEM NO.	FINISH
HES3D-120DC	Silver
HES3D-120DN	Champagne Gold

DOOR SPECIFICATIONS

Recommended door dimensions :

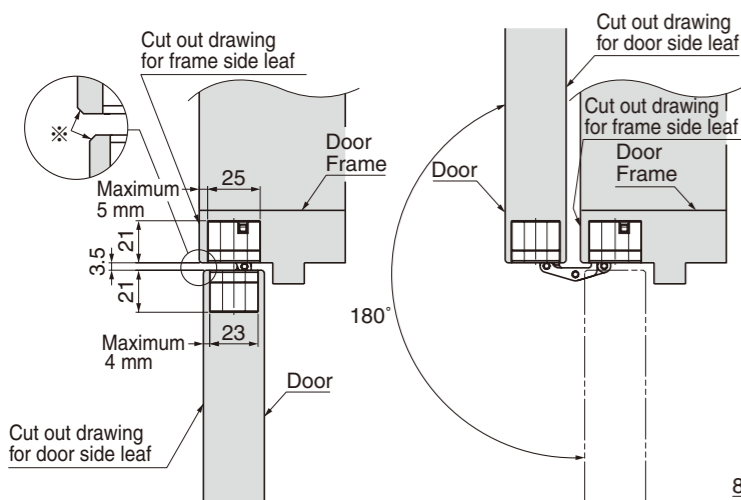
Maximum Door Weight	30kg (66lbs) when 2 hinges used
	40kg (88lbs) when 3 hinges used
Minimum Door Thickness	29mm (1-9/64)
Maximum Door Height	2400mm (94)
Maximum Door Width	900mm (36)

ADJUSTMENTS

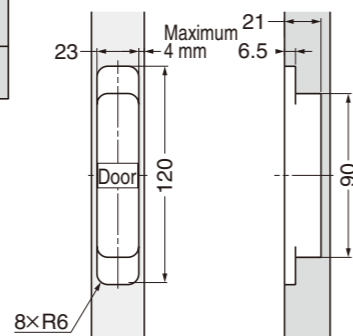
Vertical adjustment	±2.5mm
Horizontal adjustment	±2mm
Backward / orwardadjustment	±1mm

INSTALLATION DRAWING

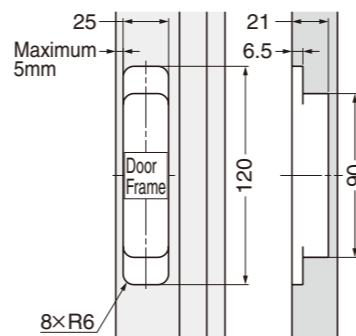
⚠ Caution
 Round edges of door and frame by applying cuts with "C1 and over" or "R1 and over." (Refer to "*" in the drawing.)



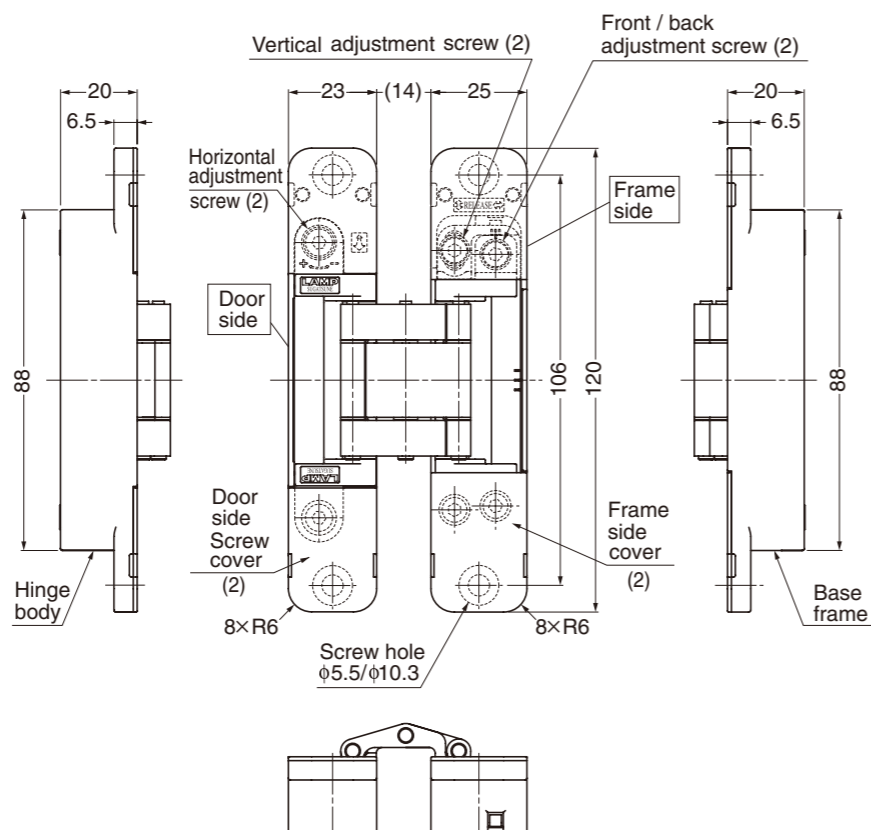
● Cut out drawing for door side leafgram



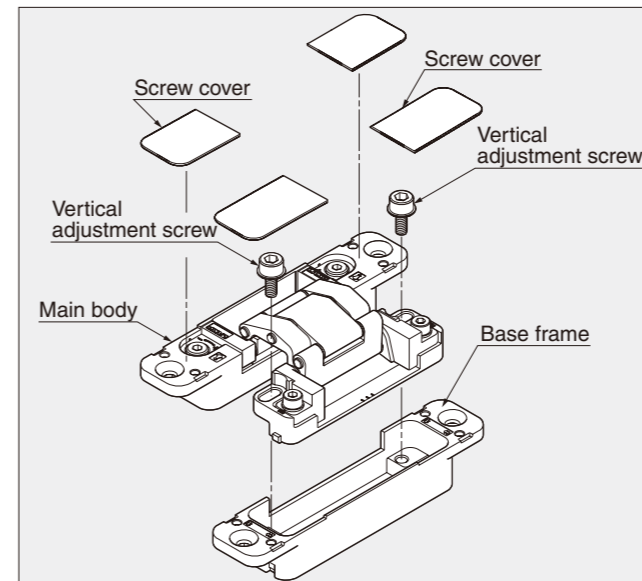
● Cur out drawing for frame side leaf



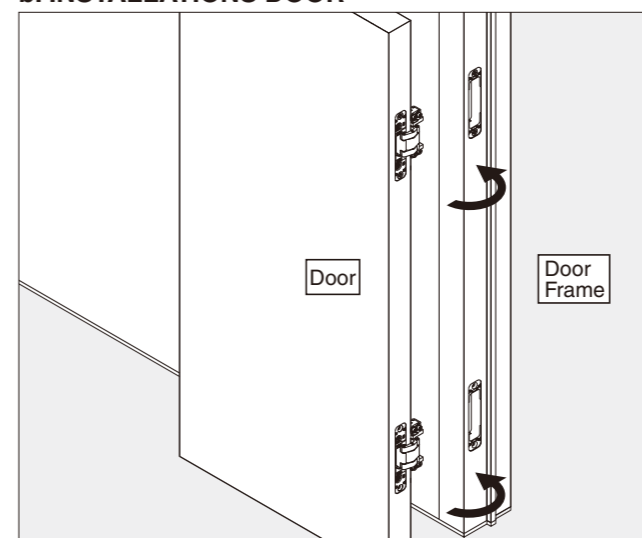
HINGE PARTS



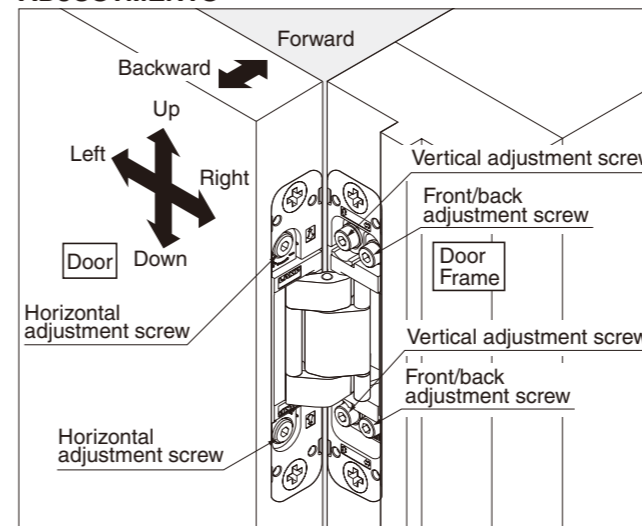
a. DEAL DRAWING



b. INSTALLATIONS DOOR



ADJUSTMENTS



INSTALLATION PROCESS

Remove screw cover and vertical adjustment screw from hinge body. Separate door side leaf and base frame. Repeat process for remaining hinge.

Install door side leaf into the cut out of the door with installation screws. Then, with screws, install the base frame into the cut out of the door frame. Repeat process for remaining hinge.

Refer to Figure B. Temporarily hang the door by inserting both upper and lower main hinge bodies into the upper and lower base frames at the same time. The door will be temporarily held in place by the easy installation function.

Insert vertical adjustment screws (removed in Step 1) into vertical adjustment holes. With a hex key, loosely fasten screws to temporarily hold frame side leaf in place.

⚠ Caution
 Make sure the base frame is set firmly in the proper direction before installing into the cut out of the frame.
 Do not open/close door with excessive force, or door may fall.

ADJUSTMENTS

Make adjustments in each (vertical and front/back) direction.

Vertical adjustment
 Using hex key, loosen vertical adjustment screw just one turn. Temporarily hold door in place during adjustment of door height by inserting a piece of wood in gap between floor and bottom of door. Then tighten screws. Fastening torque is 3N·m (30.6kgf·cm).

Front/back adjustment
 Loosen front/back adjustment screw just one turn using hex key. Adjust the door. Then tighten screws. Fastening torque is 3N·m (30.6kgf·cm).

⚠ Caution
 To prevent door from falling, do not remove front/back adjustment screw.

Horizontal adjustment
 To widen the gap between door and door frame (on the hinged side of door), turn the horizontal adjustment screw in clockwise direction. (Maximum adjustment is 2 mm). To narrow the gap, turn the screw in counter clockwise direction.

⚠ Caution
 Gently turn adjustment screws, alternating from one screw to the other and back again. Do not force turning of screws.
 Do not loosen adjustment screw (Maximum adjustment is 2mm) in clockwise direction, as door may fall.

Finally, replace screw cover.

⚠ Caution
 Do not handle the covers with excessive force, as they may break.

SUGATSUNE KOGYO CO.,LTD.
 Phone: +81 3 3866 2260
 Fax: +81 3 3866 4447
 E-mail: export@sugatsune.co.jp
 Website: www.sugatsune-intl.com

SUGATSUNE KOGYO (UK) LTD.
 Phone: +44 118 9272 955
 Fax: +44 118 9272 871
 E-mail: sales@sugatsune.co.uk
 Website: www.sugatsune.co.uk

SUGATSUNE AMERICA, INC.
 Phone: +1 310 329 6373
 Fax: +1 310 329 0819
 E-mail: sales@sugatsune.com
 Website: www.sugatsune.com

SUGATSUNE SHANGHAI CO., LTD.
 Phone: +86 21 3632 1858
 Fax: +86 21 3632 1868
 E-mail: lamp@sugatsune.com.cn
 Website: www.sugatsune.com.cn