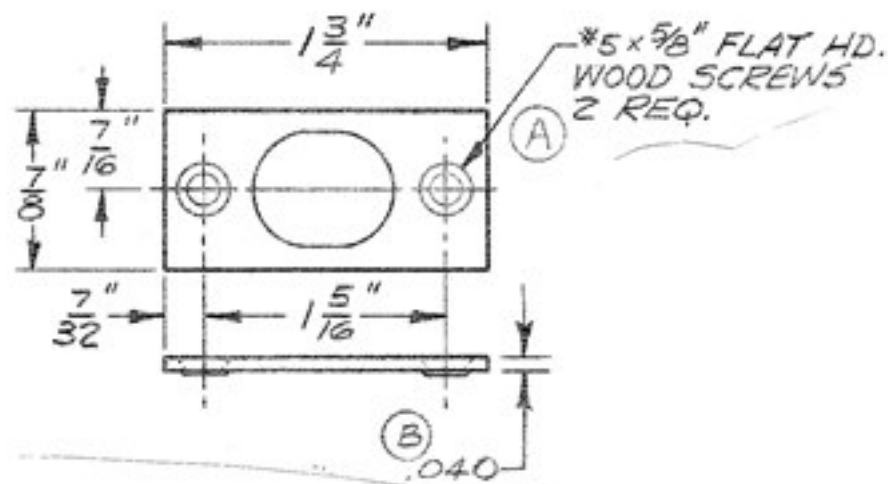


## Flush Bolt Strike Plate 7/8" x 1-3/4"



This Flush Bolt Strike Plate receives the end of the flush bolt rod when extended. Works with any flush bolt with a 1/2" diameter bolt. Use Templaco Template Model **FBS-234** to complete the mortise for the this plate.



"Templaco router templates makes this job easy. Need help just ask me, I'm the Template Dude"