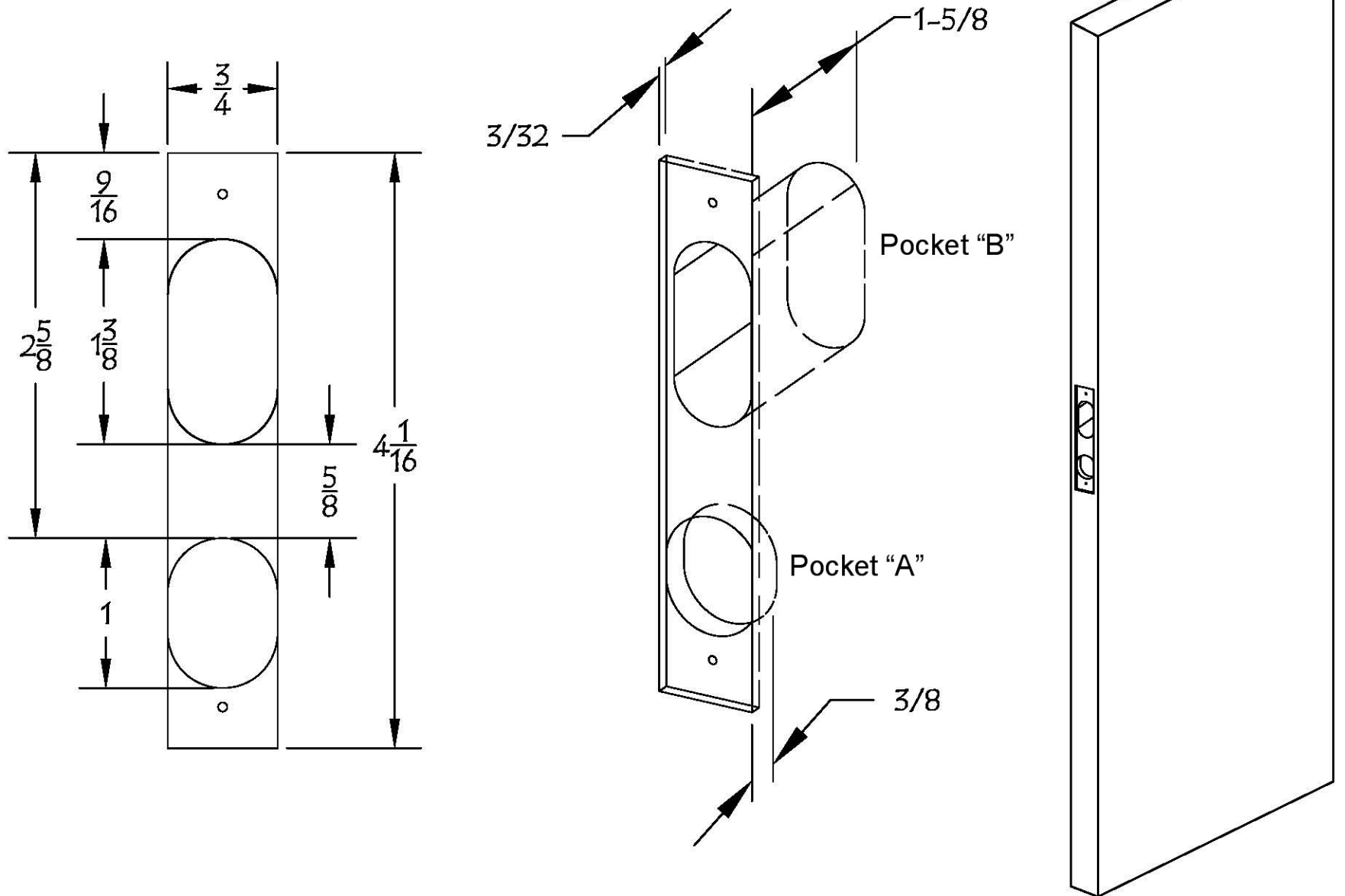


# TEMPLATE - EDGE PULL

Templaco template, **Stock # Emtek EP-2** will produce both pockets for the hardware, pocket "A" and pocket "B" and the finish mortise of  $3/4" \times 4-1/16"$ . Ref: Emtek Edge Pull Model 2221



EMTEK

IN4-EDGE PULL

REV. 10/10/05