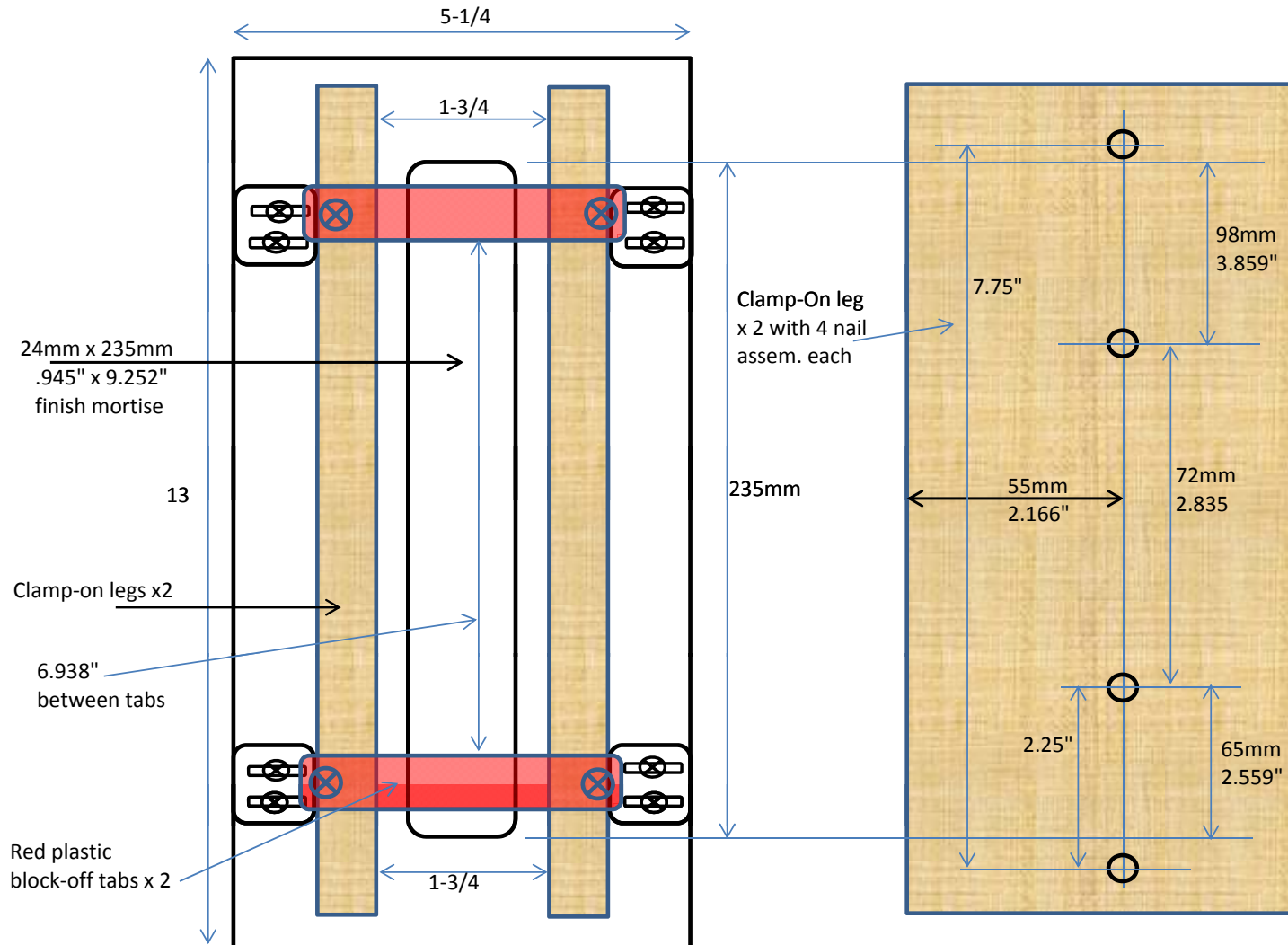




# Baton Series F4 Euro Mortise Lock Case Template

TOP



**Series F4 Euro Mortise Lock Case  
DIN Standard (72mm C~C)**

E07

Baton model F400 Euro Mortise Lock Case is made of heavy gauge galvanized steel case constructed with precision and durable working parts; ensures long lasting and trouble free performances.

Latch - Investment casting stainless steel construction. Featured with noise reduction rubber inserts.

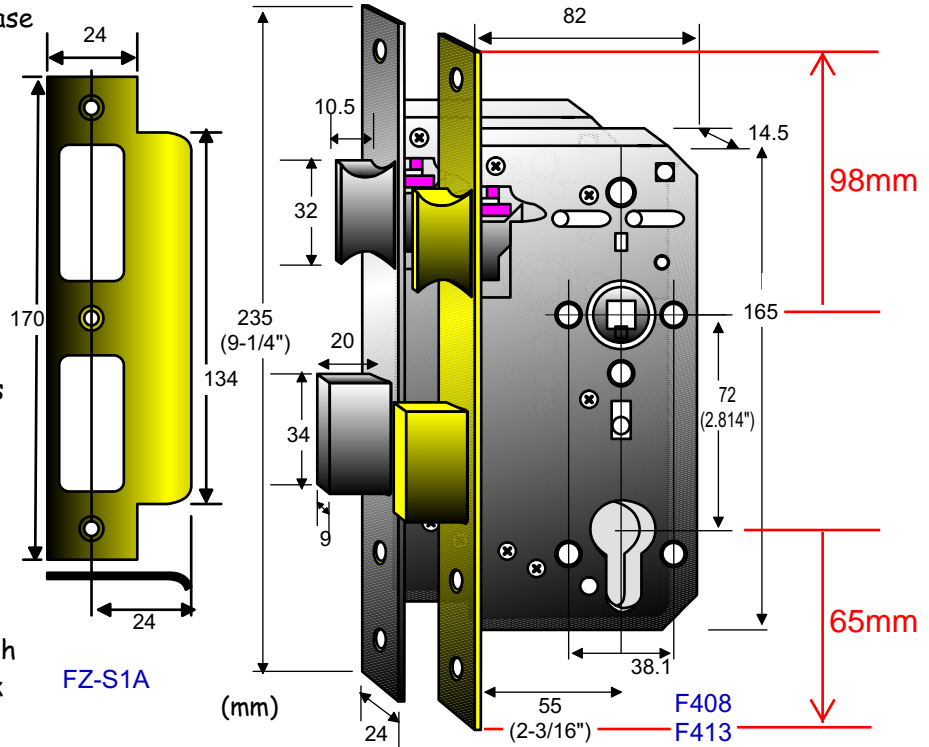
Non-handed (field reversible).

Deadbolt - Investment casting stainless steel one piece construction.

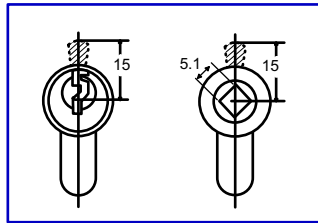
Front plate - Stainless steel.

Hub - Investment casting stainless steel, 8mm on square

Two finishes, US32D and PVD18K gold, are available to order from stock. Finish is applied to all the exposed parts (Lock front, Latch bolt, Deadbolt and Strike)

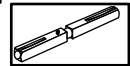


Furnished with:  
Strike (FZ-S1A),  
Dust boxes(F4-G3)  
and Mounting screws.



According to EN 12209:2003, the locks are classified as: **2C400B3HA10**

The lock fulfills the safety relevant characteristics of Class 3 as per DIN 18251 and EN 179.



Model No.	Backset	Function	Depiction
F408LL	2-3/16" (55mm)	<b>Entrance (without egress)</b> Latch by Lever from either side. Deadbolt by key either side. Continue to turn the key operates the Latch.	
F413LL	2-3/16" (55mm)	<b>Entrance (with egress)</b> Latch by Lever from either side. Deadbolt by key either side. Inside Lever retracts latch and deadbolt simultaneously.	

Remarks: 1) Please see the pages E14, E18 for the matching Euro Profile Cylinders, Cylinder Rosette and pages T01, T02 Trim/lever Set Ordering Guide for the matching Lever sets.  
2) Other functions, such as: Night Latch, Bathroom and Dead lock etc. are to order.

**Models TF-G Brass & TF-H Stainless Steel  
Trim Set for 'F' Euro Mortise Lock Case**

These two elegance 'TF' Trim Sets are also designed to accommodate Baton 'F' series Euro Mortise Lock case that is formed with 72mm Lever Center to Cylinder center as shown on page E06 and E07.

Material:

Model TF-G21

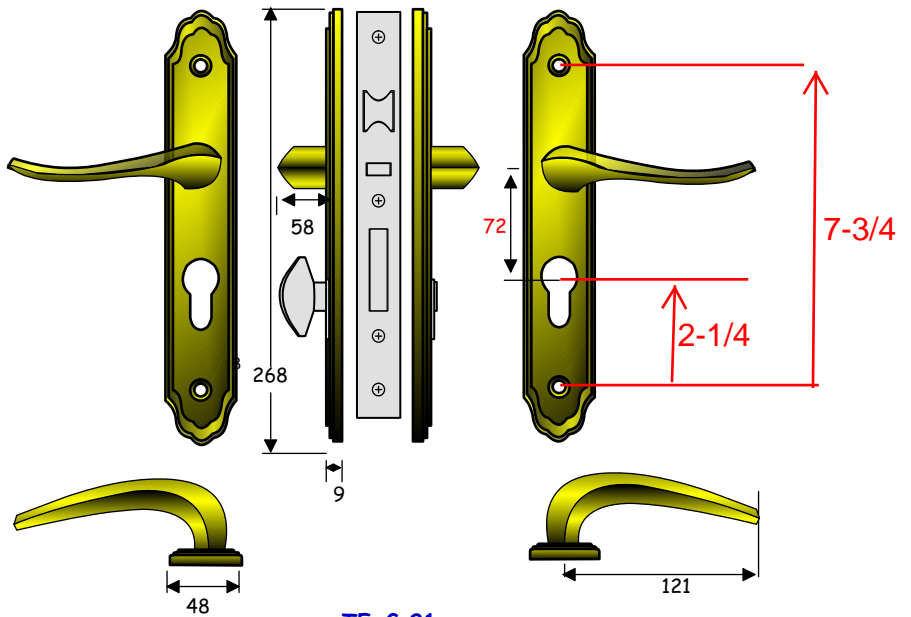
Escutcheon - Forged brass  
lever - Forged brass.

Model TF-H25

Escutcheon - Cast investment  
stainless steel.

Lever - Cast investment  
stainless steel

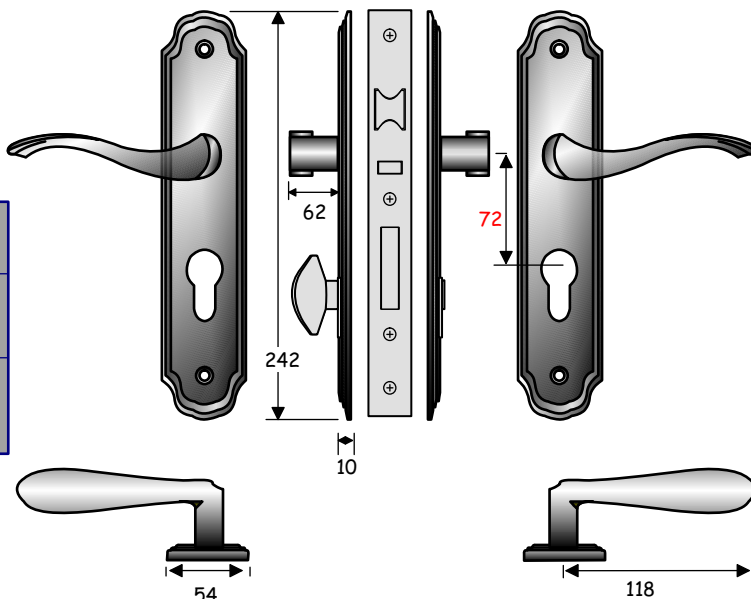
Hub size: 8mm on square



TF-G 21

T18

Model No.	Material	Finish
TF-G21	Forged Brass	10B, PVD
TF-H25	Cast Investment Stainless steel	32D



TF-H 25

Cylinder and Mortise lock case are excluded. Please see pages E06, E07 for series 'F' Mortise Lock Cases and page E14 to E16 for the 'EC' Euro Profile Cylinder and accessories.